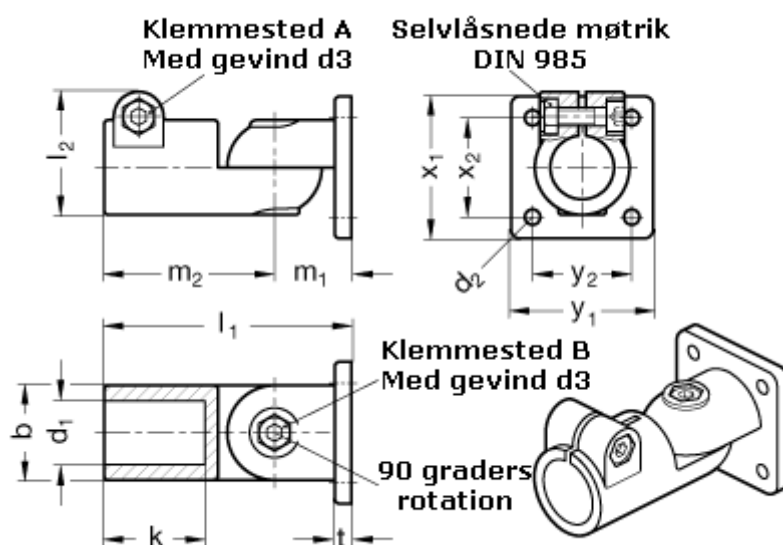


Article number: 20282B30T2SW

Description: E+G Swivel clamp connector joint
GN 282-B30-T-2-SW

Measures



$b = 40$	$m_2 = 72$
$d_1 = B30$	$t = 7$
$d_2 = 6.5$	$x_1 = 60$
$d_3 = M 8$	$x_2 = 42$
$k = 42.5$	$y_1 = 60$
$l_1 = 104.5$	$y_2 = 42$
$l_2 = 52.0$	
$m_1 = 32.5$	